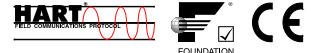


Rosemount 3051 Pressure Transmitter

HART® AND FOUNDATION™ FIELDBUS PROTOCOLS

- Best-in-Class performance, 0.04% High Accuracy option
- Industry first five-year stability under actual process conditions
- Unmatched Dynamic Performance
- Coplanar™ platform enables integrated pressure, flow, and level solutions
- Advanced PlantWeb® Functionality



Contents

Product Offering	page 3
Specifications	page 4
Product Certifications	page 12
HART Protocol	page 12
Fieldbus Protocol	page 15
Dimensional Drawings	page 17
Ordering Information	page 25
HART Protocol C1 Option Configuration Data Sheet	page 39

Setting the Standard for Pressure Measurement

Industry's best total performance, a flexible *Coplanar* platform, and guaranteed 5- year stability, has made the Rosemount 3051 the standard in pressure measurement.

Industry's best total performance of $\pm 0.15\%$

Total performance is the true measure of "real-world" transmitter performance. Using superior sensor technology and engineered for optimal performance, the 3051 delivers unprecedented $\pm 0.04\%$ reference accuracy, resulting in total operating performance of $\pm 0.15\%$. Superior total performance equates to reduced variability and improved plant safety.

Five year installed stability of $\pm 0.125\%$

Transmitter stability is a critical measure of transmitter performance over time. Through aggressive simulation testing beyond standard IEC 770 testing, the 3051 has proven its ability to maintain performance over a five year period under the most demanding process conditions. Superior transmitter stability reduces calibration frequency to save operation and maintenance costs.

Unmatched dynamic performance

In dynamic applications, speed of measurement is as important as repeatability. The 3051 responds up to eight times faster than the typical pressure transmitter to detect and control variations quickly and efficiently. Superior dynamic response yields more accurate measurements to reduce variability and increase profitability.

Coplanar platform enables complete point solutions

The versatile *Coplanar* platform design enables the best process connection for pressure, flow and level applications. Right out of the box, the solution arrives factory calibrated, pressure-tested, and ready to install. Only the 3051 has a flexible design to reduce engineering and inventory costs.

Advanced *PlantWeb* Functionality



The 3051 powers the *PlantWeb* architecture by delivering the best sensor and transmitter, best installation practices, and best in class field intelligence. One component is the enhanced diagnostic capabilities in *FOUNDATION* fieldbus that provide an increase in process visibility, enabling proactive maintenance and improving process availability.

Rosemount Pressure Solutions

Rosemount 3051S Series of Instrumentation

Scalable pressure, flow and level measurement solutions improve installation and maintenance practices.

Rosemount 3095MV Mass Flow Transmitter

Accurately measures differential pressure, static pressure and process temperature to dynamically calculate fully compensated mass flow.

Rosemount 305 and 306 Integral Manifolds

Factory-assembled, calibrated and seal-tested manifolds reduce on-site installation costs.

Rosemount 1199 Diaphragm Seals

Provides reliable, remote measurements of process pressure and protects the transmitter from hot, corrosive, or viscous fluids.

Orifice Plate Primary Element Systems: Rosemount 1495 and 1595 Orifice Plates, 1496 Flange Unions and 1497 Meter Sections

A comprehensive offering of orifice plates, flange unions and meter sections that is easy to specify and order. The 1595 Conditioning Orifice provides superior performance in tight fit applications.

Annubar[®] Flowmeter Series: Rosemount 3051SFA, 3095MFA, and 485

The state-of-the-art, fifth generation Rosemount 485 *Annubar* combined with the 3051S or 3095MV MultiVariable transmitter creates an accurate, repeatable and dependable insertion-type flowmeter.

Compact Orifice Flowmeter Series: Rosemount 3051SFC, 3095MFC, and 405

Compact Orifice Flowmeters can be installed between existing flanges, up to a Class 600 (PN100) rating. In tight fit applications, a conditioning orifice plate version is available, requiring only two diameters of straight run upstream.

ProPlate[®] Flowmeter Series: Rosemount *ProPlate*, *Mass ProPlate*, and 1195

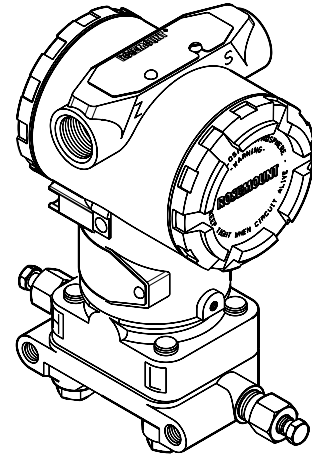
These integral orifice flowmeters eliminate the inaccuracies that become more pronounced in small orifice line installations. The completely assembled, ready to install flowmeters reduce cost and simplify installation.

Product Offering

Rosemount 3051C Differential, Gage, and Absolute

See ordering information on page 25.

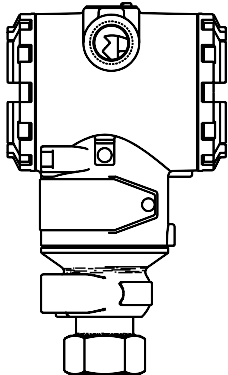
- Performance up to 0.04% accuracy
- Five year installed stability of 0.125%
- *Coplanar* platform enables integrated manifold, primary element and diaphragm seal solutions
- Calibrated spans/ranges from 0.1 inH₂O to 4000 psi (0,25 mbar to 276 bar)
- 316L SST, *Hastelloy*® C276, *Monel*®, Tantalum, Gold-plated *Monel*, or Gold-plated 316L SST process isolators



Rosemount 3051T Gage and Absolute

See ordering information on page 29.

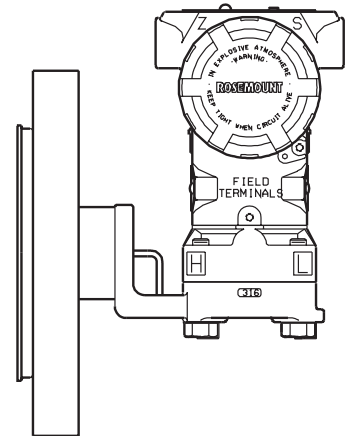
- Performance up to 0.04% accuracy
- Five year installed stability of 0.125%
- Calibrated spans from 0.3 to 10000 psi (10,3 mbar to 689 bar)
- Multiple process connections available
- 316L SST and *Hastelloy* C276 process isolators



Rosemount 3051L Liquid Level

See ordering information on page 31.

- Performance up to 0.075% accuracy
- Welded fill fluid system provides best-in-class system reliability
- Flush and extended diaphragms
- Multiple fill fluids and wetted materials available



Specifications

PERFORMANCE SPECIFICATIONS

Total Performance is based on combined errors of reference accuracy, ambient temperature effect, and static pressure effect. This product data sheet covers both HART and fieldbus protocols unless specified.

Conformance To Specification ($\pm 3\sigma$ (Sigma))

Technology leadership, advanced manufacturing techniques and statistical process control ensure specification conformance to at least $\pm 3\sigma$.

Reference Accuracy⁽¹⁾

Models	Standard	High Accuracy Option
3051CD, 3051CG		
Range 0 (CD)	$\pm 0.10\%$ of span For spans less than 2:1, accuracy = $\pm 0.05\%$ of URL	
Range 1	$\pm 0.10\%$ of span For spans less than 15:1, accuracy = $\pm \left[0.025 + 0.005 \left(\frac{URL}{Span} \right) \right] \%$ of Span	
Ranges 2-5	$\pm 0.065\%$ of span For spans less than 10:1, accuracy = $\pm \left[0.015 + 0.005 \left(\frac{URL}{Span} \right) \right] \%$ of Span	Ranges 2-4 High Accuracy Option, P8 $\pm 0.04\%$ of span For spans less than 5:1, accuracy = $\pm \left[0.015 + 0.005 \left(\frac{URL}{Span} \right) \right] \%$ of Span
3051T		
Ranges 1-4	$\pm 0.065\%$ of span For spans less than 10:1, accuracy = $\pm \left[0.0075 \left(\frac{URL}{Span} \right) \right] \%$ of Span	Ranges 2-4 High Accuracy Option, P8 $\pm 0.04\%$ of span For spans less than 5:1, accuracy = $\pm \left[0.0075 \left(\frac{URL}{Span} \right) \right] \%$ of Span
Range 5	$\pm 0.075\%$ of span For spans less than 10:1, accuracy = $\pm \left[0.0075 \left(\frac{URL}{Span} \right) \right] \%$ of Span	
3051CA		
Ranges 1-4	$\pm 0.065\%$ of span For spans less than 10:1, accuracy = $\pm \left[0.0075 \left(\frac{URL}{Span} \right) \right] \%$ of Span	Ranges 2-4 High Accuracy Option, P8 $\pm 0.04\%$ of span For spans less than 5:1, accuracy = $\pm \left[0.0075 \left(\frac{URL}{Span} \right) \right] \%$ of Span
3051H/3051L		
All Ranges	$\pm 0.075\%$ of span For spans less than 10:1, accuracy = $\pm \left[0.025 + 0.005 \left(\frac{URL}{Span} \right) \right] \%$ of Span	

(1) For FOUNDATION fieldbus transmitters, use calibrated range in place of span. For zero based spans, reference conditions, silicone oil fill, SST materials, Coplanar flange (3051C) or 1/2 in. - 18 NPT (3051T) process connections, digital trim values set to equal range points.

Total Performance

For $\pm 50\text{ }^\circ\text{F}$ ($28\text{ }^\circ\text{C}$) temperature changes, up to 1000 psi (6,9 MPa) line pressure (CD only), from 1:1 to 5:1 rangedown.

Models	Total Performance
3051C	Ranges 2-5 $\pm 0.15\%$ of span
3051T	Ranges 1-4 $\pm 0.15\%$ of span

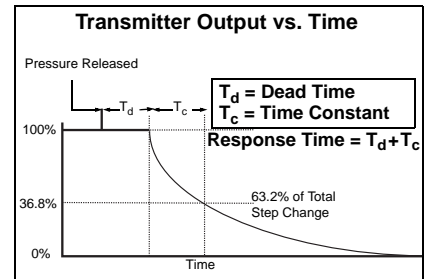
Long Term Stability

Models	Long Term Stability
3051C	Ranges 2-5 $\pm 0.125\%$ of URL for 5 years $\pm 50\text{ }^\circ\text{F}$ ($28\text{ }^\circ\text{C}$) temperature changes, and up to 1000 psi (6,9 MPa) line pressure.
3051CD Low/Draft Range	Ranges 0-1 $\pm 0.2\%$ of URL for 1 year
3051T	Ranges 1-4 $\pm 0.125\%$ of URL for 5 years $\pm 50\text{ }^\circ\text{F}$ ($28\text{ }^\circ\text{C}$) temperature changes, and up to 1000 psi (6,9 MPa) line pressure.
Rosemount 3051H	Ranges 2-3 $\pm 0.1\%$ of URL for 1 year Ranges 4-5 $\pm 0.2\%$ of URL for 1 year

Dynamic Performance

	4 - 20 mA (HART protocol) ⁽¹⁾	Fieldbus protocol ⁽³⁾	Typical HART Transmitter Response Time
Total Response Time ($T_d + T_c$)⁽²⁾:			
	3051C, Ranges 2-5: 100 ms	152 ms	
	Range 1: 255 ms	307 ms	
	Range 0: 700 ms	752 ms	
	3051T: 100 ms	152 ms	
	3051H/L: Consult factory	Consult factory	
Dead Time (T_d)	45 ms (nominal)	97 ms	
Update Rate	22 times per second	22 times per second	

(1) Dead time and update rate apply to all models and ranges; analog output only
 (2) Nominal total response time at $75\text{ }^\circ\text{F}$ ($24\text{ }^\circ\text{C}$) reference conditions.
 (3) Transmitter fieldbus output only, segment macro-cycle not included.



3051-3051_17A

Line Pressure Effect per 1000 psi (6,9 MPa)

For line pressures above 2000 psi (13,7 MPa), see user manual (Rosemount publication number 00809-0100-4001).

Models	Line Pressure Effect
3051CD	Zero Error ⁽¹⁾ Range 0 $\pm 0.125\%$ of URL/100 psi (6,89 bar) Range 1 $\pm 0.25\%$ of URL/1000 psi (68,9 bar) Ranges 2-3 $\pm 0.05\%$ of URL/1000 psi (68,9 bar) for line pressures from 0 to 2000 psi (0 to 13,7 MPa) Span Error Range 0 $\pm 0.15\%$ of reading/100 psi (6,89 bar) Range 1 $\pm 0.4\%$ of reading/1000 psi (68,9 bar) Ranges 2-3 $\pm 0.1\%$ of reading/1000 psi (68,9 bar)
3051HD	Zero Error ⁽¹⁾ All Ranges $\pm 0.1\%$ of URL/1000 psi (68,9 bar) for line pressures from 0 to 2000 psi (0 to 13,7 MPa) Span Error All Ranges $\pm 0.1\%$ of reading/1000 psi (68,9 bar)

(1) Can be calibrated out at line pressure.

Ambient Temperature Effect per 50°F (28°C)

Models	Ambient Temperature Effect
3051CD/CG	Range 0 $\pm(0.25\% \text{ URL} + 0.05\% \text{ span})$ Range 1 $\pm(0.1\% \text{ URL} + 0.25\% \text{ span})$ Ranges 2-5 $\pm(0.0125\% \text{ URL} + 0.0625\% \text{ span})$ from 1:1 to 5:1 $\pm(0.025\% \text{ URL} + 0.125\% \text{ span})$ from 5:1 to 100:1
3051T	Range 1 $\pm(0.025\% \text{ URL} + 0.125\% \text{ span})$ from 1:1 to 10:1 $\pm(0.05\% \text{ URL} + 0.125\% \text{ span})$ from 10:1 to 100:1 Range 2-4 $\pm(0.025\% \text{ URL} + 0.125\% \text{ span})$ from 1:1 to 30:1 $\pm(0.035\% \text{ URL} + 0.125\% \text{ span})$ from 30:1 to 100:1 Range 5 $\pm(0.1\% \text{ URL} + 0.15\% \text{ span})$
3051CA	All Ranges $\pm(0.025\% \text{ URL} + 0.125\% \text{ span})$ from 1:1 to 30:1 $\pm(0.035\% \text{ URL} + 0.125\% \text{ span})$ from 30:1 to 100:1
3051H	All Ranges $\pm(0.025\% \text{ URL} + 0.125\% \text{ span} + 0.35 \text{ inH}_2\text{O})$ from 1:1 to 30:1 $\pm(0.035\% \text{ URL} + 0.125\% \text{ span} + 0.35 \text{ inH}_2\text{O})$ from 1:1 to 30:1
3051L	See Rosemount Inc. Instrument Toolkit™ software.

Mounting Position Effects

Models	Mounting Position Effects
3051C	Zero shifts up to $\pm 1.25 \text{ inH}_2\text{O}$ (3,11 mbar), which can be calibrated out. No span effect.
3051H	Zero shifts up to $\pm 5 \text{ inH}_2\text{O}$ (12,43 mbar), which can be calibrated out. No span effect.
3051L	With liquid level diaphragm in vertical plane, zero shift of up to $1 \text{ inH}_2\text{O}$ (2,49 mbar). With diaphragm in horizontal plane, zero shift of up to $5 \text{ inH}_2\text{O}$ (12,43 mbar) plus extension length on extended units. All zero shifts can be calibrated out. No span effect.
3051T/CA	Zero shifts up to $2.5 \text{ inH}_2\text{O}$ (6,22 mbar), which can be calibrated out. No span effect.

Vibration Effect

All Models

Measurement effect due to vibrations is negligible except at resonance frequencies. When at resonance frequencies, vibration effect is less than $\pm 0.1\%$ of URL per g when tested between 15 and 2000 Hz in any axis relative to pipe-mounted process conditions.

Power Supply Effect

All Models

Less than $\pm 0.005\%$ of calibrated span per volt.

RFI Effects

All Models

$\pm 0.1\%$ of span from 20 to 1000 MHz and for field strength up to 30 V/m.

Transient Protection (Option Code T1)

All Models:

Meets IEEE C62.41, Category B

6 kV crest (0.5 μs - 100 kHz)

3 kV crest (8 \times 20 microseconds)

6 kV crest (1.2 \times 50 microseconds)

Meets IEEE C37.90.1, Surge Withstand Capability

SWC 2.5 kV crest, 1.25 MHz wave form

General Specifications:

Response Time: < 1 nanosecond

Peak Surge Current: 5000 amps to housing

Peak Transient Voltage: 100 V dc

Loop Impedance: < 25 ohms

Applicable Standards: IEC61000-4-4,

IEC61000-4-5

NOTE:

Calibrations at 68 °F (20 °C) per ASME Z210.1 (ANSI)

FUNCTIONAL SPECIFICATIONS

Range and Sensor Limits

TABLE 1. 3051CD, 3051CG, 3051L, and 3051H Range and Sensor Limits

Range	Minimum Span				Range and Sensor Limits			
	3051CD ⁽¹⁾ , CG, L, H	Upper (URL)	3051C Differential	3051C/ Gage	Lower (LRL)			
					3051L Differential	3051L Gage	3051H Differential	3051H Gage
0	0.1 inH ₂ O (0,25 mbar)	3.0 inH ₂ O (7,47 mbar)	-3.0 inH ₂ O (-7,47 mbar)	NA	NA	NA	NA	NA
1	0.5 inH ₂ O (1,2 mbar)	25 inH ₂ O (62,3 mbar)	-25 inH ₂ O (-62,3 mbar)	-25 inH ₂ O (-62,3 mbar)	NA	NA	NA	NA
2	2.5 inH ₂ O (6,2 mbar)	250 inH ₂ O (0,62 bar)	-250 inH ₂ O (-0,62 bar)	-250 inH ₂ O (-0,62 bar)	-250 inH ₂ O (-0,62 bar)	-250 inH ₂ O (-0,62 bar)	-250 inH ₂ O (-0,62 bar)	-250 inH ₂ O (-0,62 bar)
3	10 inH ₂ O (24,9 mbar)	1000 inH ₂ O (2,49 bar)	-1000 inH ₂ O (-2,49 bar)	0.5 psia (34,5 mbar abs)	-1000 inH ₂ O (-2,49 bar)	0.5 psia (34,5 mbar abs)	-1000 inH ₂ O (-2,49 bar)	0.5 psia (34,5 mbar abs)
4	3 psi (0,20 bar)	300 psi (20,6 bar)	-300 psi (-20,6 bar)	0.5 psia (34,5 mbar abs)	-300 psi (-20,6 bar)	0.5 psia (34,5 mbar abs)	-300 psi (-20,6 bar)	0.5 psia (34,5 mbar abs)
5	20 psi (1,38 bar)	2000 psi (137,9 bar)	-2000 psi (-137,9 bar)	0.5 psia (34,5 mbar abs)	NA	NA	-2000 psi (-137,9 bar)	0.5 psia (34,5 mbar abs)

(1) Range 0 only available with 3051CD. Range 1 only available with 3051CD or 3051CG.

TABLE 2. Range and Sensor Limits

Range	3051CA			Range	3051T			
	Minimum Span	Upper (URL)	Lower (LRL)		Minimum Span	Upper (URL)	Lower (LRL)	Lower ⁽¹⁾ (LRL) (Gage)
1	0.3 psia (20,6 mbar)	30 psia (2,07 bar)	0 psia (0 bar)	1	0.3 psi (20,6 mbar)	30 psi (2,07 bar)	0 psia (0 bar)	-14.7 psig (-1,01 bar)
2	1.5 psia (0,103 bar)	150 psia (10,3 bar)	0 psia (0 bar)	2	1.5 psi (0,103 bar)	150 psi (10,3 bar)	0 psia (0 bar)	-14.7 psig (-1,01 bar)
3	8 psia (0,55 bar)	800 psia (55,2 bar)	0 psia (0 bar)	3	8 psi (0,55 bar)	800 psi (55,2 bar)	0 psia (0 bar)	-14.7 psig (-1,01 bar)
4	40 psia (2,76 bar)	4000 psia (275,8 bar)	0 psia (0 bar)	4	40 psi (2,76 bar)	4000 psi (275,8 bar)	0 psia (0 bar)	-14.7 psig (-1,01 bar)
				5	2000 psi (137,9 bar)	10000 psi (689,4 bar)	0 psia (0 bar)	-14.7 psig (-1,01 bar)

(1) Assumes atmospheric pressure of 14.7 psig.

Zero and Span Adjustment Requirements (HART and Low Power)

Zero and span values can be set anywhere within the range limits stated in Table 1 and Table 2.

Span must be greater than or equal to the minimum span stated in Table 1 and Table 2.

Service

Liquid, gas, and vapor applications

4–20 mA (Output Code A)

Output

Two-wire 4–20 mA, user-selectable for linear or square root output. Digital process variable superimposed on 4–20 mA signal, available to any host that conforms to the HART protocol.

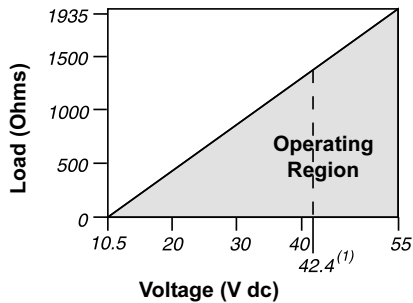
Power Supply

External power supply required. Standard transmitter (4–20 mA) operates on 10.5 to 55 V dc with no load.

Load Limitations

Maximum loop resistance is determined by the voltage level of the external power supply, as described by:

$$\text{Max. Loop Resistance} = 43.5 (\text{Power Supply Voltage} - 10.5)$$



Communication requires a minimum loop resistance of 250 ohms.

(1) For CSA approval, power supply must not exceed 42.4 V.

FOUNDATION fieldbus (output code F) and Profibus (output code W)

Power Supply

External power supply required; transmitters operate on 9.0 to 32.0 V dc transmitter terminal voltage.

Current Draw

17.5 mA for all configurations (including LCD display option)

FOUNDATION fieldbus Function Block Execution Times

Block	Execution Time
Resource	-
Transducer	-
LCD Block	-
Analog Input 1, 2	30 milliseconds
PID	45 milliseconds
Input Selector	30 milliseconds
Arithmetic	35 milliseconds
Signal Characterizer	40 milliseconds
Integrator	35 milliseconds

FOUNDATION fieldbus Parameters

Schedule Entries	7 (max.)
Links	20 (max.)
Virtual Communications Relationships (VCR)	12 (max.)

Standard Function Blocks

Resource Block

Contains hardware, electronics, and diagnostic information.

Transducer Block

Contains actual sensor measurement data including the sensor diagnostics and the ability to trim the pressure sensor or recall factory defaults.

LCD Block

Configures the local display.

2 Analog Input Blocks

Processes the measurements for input into other function blocks. The output value is in engineering units or custom and contains a status indicating measurement quality.

PID Block

Contains all logic to perform PID control in the field including cascade and feedforward.

Backup Link Active Scheduler (LAS)

The transmitter can function as a Link Active Scheduler if the current link master device fails or is removed from the segment.

Advanced Control Function Block Suite (Option Code A01)

Input Selector Block

Selects between inputs and generates an output using specific selection strategies such as minimum, maximum, midpoint, average or first "good."

Arithmetic Block

Provides pre-defined application-based equations including flow with partial density compensation, electronic remote seals, hydrostatic tank gauging, ratio control and others.

Signal Characterizer Block

Characterizes or approximates any function that defines an input/output relationship by configuring up to twenty X, Y coordinates. The block interpolates an output value for a given input value using the curve defined by the configured coordinates.

Integrator Block

Compares the integrated or accumulated value from one or two variables to pre-trip and trip limits and generates discrete output signals when the limits are reached. This block is useful for calculating total flow, total mass, or volume over time.

FOUNDATION fieldbus Diagnostics Suite (Option Code D01)

The 3051C FOUNDATION fieldbus Diagnostics provide Abnormal Situation Prevention (ASP) indication. The integral statistical process monitoring (SPM) technology calculates the mean and standard deviation of the process variable 22 times per second. The 3051C ASP algorithm uses these values and highly flexible configuration options for customization to many user-defined or application specific abnormal situations. The detection of plugged impulse lines is the first available predefined application.

Low Power (Output Code M)

Output

Three wire 1–5 V dc or 0.8–3.2 V dc (Option Code C2) user-selectable output. Also user selectable for linear or square root output configuration. Digital process variable superimposed on voltage signal, available to any host conforming to the *HART* protocol. Low-power transmitter operates on 6–12 V dc with no load.

Power Consumption

3.0 mA, 18–36 mW

Minimum Load Impedance

100 kΩ (V_{out} wiring)

Indication

Optional 5-digit LCD display

Overpressure Limits

Rosemount 3051CD/CG

- Range 0: 750 psi (51,7 bar)
- Range 1: 2000 psig (137,9 bar)
- Ranges 2–5: 3626 psig (250 bar)
4500 psig (310,3 bar) for option code P9

Rosemount 3051CA

- Range 1: 750 psia (51,7 bar)
- Range 2: 1500 psia (103,4 bar)
- Range 3: 1600 psia (110,3 bar)
- Range 4: 6000 psia (413,7 bar)

Rosemount 3051H

- All Ranges: 3626 psig (25 MPa)

Rosemount 3051TG/TA

- Range 1: 750 psi (51,7 bar)
- Range 2: 1500 psi (103,4 bar)
- Range 3: 1600 psi (110,3 bar)
- Range 4: 6000 psi (413,7 bar)
- Range 5: 15000 psi (1034,2 bar)

For 3051L or Level Flange Option Codes FA, FB, FC, FD, FP, and FQ, limit is 0 psia to the flange rating or sensor rating, whichever is lower.

TABLE 3. 3051L and Level Flange Rating Limits

Standard	Type	CS Rating	SST Rating
ANSI/ASME	Class 150	285 psig	275 psig
ANSI/ASME	Class 300	740 psig	720 psig
ANSI/ASME	Class 600	1480 psig	1440 psig
<i>At 100 °F (38 °C), the rating decreases with increasing temperature.</i>			
DIN	PN 10–40	40 bar	40 bar
DIN	PN 10/16	16 bar	16 bar
DIN	PN 25/40	40 bar	40 bar
<i>At 248 °F (120 °C), the rating decreases with increasing temperature.</i>			

Static Pressure Limit

Rosemount 3051CD Only

Operates within specifications between static line pressures of 0.5 psia and 3626 psig (4500 psig for Option Code P9).

Range 0: 0.5 psia and 750 psig

Range 1: 0.5 psia and 2000 psig

Burst Pressure Limits

Burst pressure on *Coplanar*, traditional, or 3051H process flange is 10000 psig (69 MPa).

Burst pressure for the 3051T is

Ranges 1–4: 11000 psi (75,8 MPa)

Range 5: 26000 psig (179 MPa)

Failure Mode Alarm

Output Code A

If self-diagnostics detect a gross transmitter failure, the analog signal will be driven either below 3.75 mA or to 21.75 mA to alert the user. NAMUR-compliant values are available, option code C4. High or low alarm signal is user-selectable by internal jumper.

Output Code M

If self-diagnostics detect a gross transmitter failure, the analog signal will be driven either below 0.94 V or above 5.4 V to alert the user (below 0.75 V or above 4.4 V for Option C2). High or low alarm signal is user-selectable by internal jumper.

Output Code F and W

If self-diagnostics detect a gross transmitter failure, that information gets passed as a status along with the process variable.

Temperature Limits

Ambient

–40 to 185 °F (–40 to 85 °C)

With integral meter: –4 to 175 °F (–20 to 80 °C)

Storage

–50 to 230 °F (–46 to 110 °C)

With integral meter: –40 to 185 °F (–40 to 85 °C)

Process

At atmospheric pressures and above. See Table 4

TABLE 4. 3051 Process Temperature Limits

3051CD, 3051CG, 3051CA	
Silicone Fill Sensor ⁽¹⁾	
with Coplanar Flange	-40 to 250 °F (-40 to 121 °C) ⁽²⁾
with Traditional Flange	-40 to 300 °F (-40 to 149 °C) ⁽²⁾⁽³⁾
with Level Flange	-40 to 300 °F (-40 to 149 °C) ⁽²⁾
with 305 Integral Manifold	-40 to 300 °F (-40 to 149 °C) ⁽²⁾
Inert Fill Sensor ⁽¹⁾	0 to 185 °F (-18 to 85 °C) ⁽⁴⁾⁽⁵⁾
3051H (Process Fill Fluid)	
D.C.® Silicone 200 ⁽¹⁾	-40 to 375 °F (-40 to 191 °C)
Inert ⁽¹⁾	-50 to 350 °F (-45 to 177 °C)
Neobee M-20 ⁽¹⁾	0 to 375 °F (-18 to 191 °C)
3051T (Process Fill Fluid)	
Silicone Fill Sensor ⁽¹⁾	-40 to 250 °F (-40 to 121 °C) ⁽²⁾
Inert Fill Sensor ⁽¹⁾	-22 to 250 °F (-30 to 121 °C) ⁽²⁾
3051L Low-Side Temperature Limits	
Silicone Fill Sensor ⁽¹⁾	-40 to 250 °F (-40 to 121 °C) ⁽²⁾
Inert Fill Sensor ⁽¹⁾	0 to 185 °F (-18 to 85 °C) ⁽²⁾
3051L High-Side Temperature Limits (Process Fill Fluid)	
Syltherm® XLT	-100 to 300 °F (-73 to 149 °C)
D.C. Silicone 704®	60 to 400 °F (15 to 205 °C)
D.C. Silicone 200	-40 to 400 °F (-40 to 205 °C)
Inert	-50 to 350 °F (-45 to 177 °C)
Glycerin and Water	0 to 200 °F (-18 to 93 °C)
Neobee M-20	0 to 400 °F (-18 to 205 °C)
Propylene Glycol and Water	0 to 200 °F (-18 to 93 °C)

- (1) Process temperatures above 185 °F (85 °C) require derating the ambient limits by a 1.5:1 ratio (0.6:1 ratio for the 3051H).
- (2) 220 °F (104 °C) limit in vacuum service; 130 °F (54 °C) for pressures below 0.5 psia.
- (3) 3051CD0 process temperature limits are -40 to 212 °F (-45 to 100 °C)
- (4) 160 °F (71 °C) limit in vacuum service.
- (5) Not available for 3051CA.

Humidity Limits

0–100% relative humidity

Turn-On Time

Performance within specifications less than 2.0 seconds (10.0 s for Profibus protocol) after power is applied to the transmitter

Volumetric Displacement

Less than 0.005 in³ (0,08 cm³)

Damping

Analog output response to a step input change is user-selectable from 0 to 36 seconds for one time constant. This software damping is in addition to sensor module response time.

PHYSICAL SPECIFICATIONS

Electrical Connections

¹/₂–14 NPT, PG 13.5, G¹/₂, and M20 × 1.5 (CM20) conduit. HART interface connections fixed to terminal block.

Process Connections

All Models except 3051L and 3051T

¹/₄–18 NPT on 2¹/₈-in. centers

¹/₂–14 NPT on 2-, 2¹/₈-, or 2¹/₄-in. centers

Rosemount 3051L

High pressure side: 2-, 3-, or 4-in., ASME B 16.5 (ANSI) Class 150, 300 or 600 flange; 50, 80 or 100 mm, PN 40 or 10/16 flange
Low pressure side: ¹/₄–18 NPT on flange ¹/₂–14 NPT on adapter

Rosemount 3051T

¹/₂–14 NPT female. A DIN 16288 Male (available in SST for Range 1–4 transmitters only), or Autoclave type F-250-C (Pressure relieved ⁹/₁₆–18 gland thread; ¹/₄ OD high pressure tube 60° cone; available in SST for Range 5 transmitters only).

Process-Wetted Parts

Drain/Vent Valves

316 SST, Hastelloy C276, or Monel material (Monel not available with 3051L or 3051H)

Process Flanges and Adapters

Plated carbon steel, SST cast CF-8M (cast version of 316 SST, material per ASTM-A743), C-Type cast alloy CW12MW, or Monel cast alloy M30C

Wetted O-rings

Glass-filled PTFE or Graphite-filled PTFE

Process Isolating Diaphragms

Isolating Diaphragm Material	3051CD/CG	3051T	3051CA	3051H
316L SST	•	•	•	•
Hastelloy C276	•	•	•	•
Monel	•		•	
Tantalum	•			•
Gold-plated Monel	•		•	
Gold-plated SST	•		•	

Product Data Sheet

00813-0100-4001, Rev GA
Catalog 2006 - 2007

Rosemount 3051

Rosemount 3051L Process Wetted Parts

Flanged Process Connection (Transmitter High Side)

Process Diaphragms, Including Process Gasket Surface

- 316L SST, *Hastelloy C276*, or Tantalum

Extension

- CF-3M (Cast version of 316L SST, material per ASTM-A743), or *Hastelloy C276*. Fits schedule 40 and 80 pipe.

Mounting Flange

- Zinc-cobalt plated CS or SST

Reference Process Connection (Transmitter Low Side)

Isolating Diaphragms

- 316L SST or *Hastelloy C276*

Reference Flange and Adapter

- CF-8M (Cast version of 316 SST, material per ASTM-A743)

Non-Wetted Parts

Electronics Housing

Low-copper aluminum or CF-3M (Cast version of 316L SST, material per ASTM-A743). NEMA 4X, IP 65, IP 66

Coplanar Sensor Module Housing

CF-3M (Cast version of 316L SST, material per ASTM-A743)

Bolts

ASTM A449, Type 1 (zinc-cobalt plated carbon steel)

ASTM F593G, Condition CW1 (Austenitic 316 SST)

ASTM A193, Grade B7M (zinc plated alloy steel)

Monel K-500

Sensor Module Fill Fluid

Silicone oil (D.C. 200) or Fluorocarbon oil (Halocarbon or Fluorinert® FC-43 for 3051T)

Process Fill Fluid (3051L and 3051H only)

3051L: Syltherm XLT, D.C. Silicone 704,

D.C. Silicone 200, inert, glycerin and water, Neobee M-20 or propylene glycol and water

3051H: inert, Neobee M-20, or D.C. Silicone 200

Paint

Polyurethane

Cover O-rings

Buna-N

Shipping Weights

Refer to "Shipping Weights" on page 38

Product Certifications

Approved Manufacturing Locations

Rosemount Inc. — Chanhassen, Minnesota USA
Emerson Process Management GmbH & Co. — Wessling, Germany
Emerson Process Management Asia Pacific Private Limited — Singapore
Beijing Rosemount Far East Instrument Co., LTD — Beijing, China

European Directive Information

The EC declaration of conformity for all applicable European directives for this product can be found on the Rosemount website at www.rosemount.com. A hard copy may be obtained by contacting an Emerson Process Management representative.

ATEX Directive (94/9/EC)

All 3051 transmitters comply with the ATEX Directive.

European Pressure Equipment Directive (PED) (97/23/EC)

3051CA4; 3051CG2, 3, 4, 5; 3051CD2, 3, 4, 5
(also with P9 option); 3051HD2, 3, 4, 5; 3051HG2, 3, 4, 5;
3051PD2, 3; and 3051PG2, 3, 4, 5 Pressure Transmitters
— QS Certificate of Assessment - EC No. PED-H-20
Module H Conformity Assessment

All other 3051/3001 Pressure Transmitters

— Sound Engineering Practice

Transmitter Attachments: Diaphragm Seal - Process Flange - Manifold

— Sound Engineering Practice

Electro Magnetic Compatibility (EMC) (89/336/EEC)

All 3051 Pressure Transmitters meet all of the requirements of IECEN61326 and NAMUR NE-21

Ordinary Location Certification for Factory Mutual

As standard, the transmitter has been examined and tested to determine that the design meets basic electrical, mechanical, and fire protection requirements by FM, a nationally recognized testing laboratory (NRTL) as accredited by the Federal Occupational Safety and Health Administration (OSHA).

HART PROTOCOL

Hazardous Locations Certifications

North American Certifications

FM Approvals

- E5** Explosion-Proof for Class I, Division 1, Groups B, C, and D. Dust-Ignition-Proof for Class II, Division 1, Groups E, F, and G. Dust-Ignition-Proof for Class III, Division 1. T5 (Ta = 85 °C), Factory Sealed, Enclosure Type 4X
- I5** Intrinsically Safe for use in Class I, Division 1, Groups A, B, C, and D; Class II, Division 1, Groups E, F, and G; Class III, Division 1 when connected per Rosemount drawing 03031-1019; Non-incendive for Class I, Division 2, Groups A, B, C, and D. Temperature Code:T4 (Ta = 40 °C), T3 (Ta = 85 °C), Enclosure Type 4X
For input parameters see control drawing 03031-1019.

Canadian Standards Association (CSA)

- E6** Explosion-Proof for Class I, Division 1, Groups B, C, and D. Dust-Ignition-Proof for Class II and Class III, Division 1, Groups E, F, and G. Suitable for Class I, Division 2 Groups A, B, C, and D for indoor and outdoor hazardous locations. Enclosure type 4X, factory sealed
- C6** Explosion-Proof and intrinsically safe approval. Intrinsically safe for Class I, Division 1, Groups A, B, C, and D when connected in accordance with Rosemount drawings 03031-1024. Temperature Code T3C. Explosion-Proof for Class I, Division 1, Groups B, C, and D. Dust-Ignition-Proof for Class II and Class III, Division 1, Groups E, F, and G. Suitable for Class I, Division 2 Groups A, B, C, and D hazardous locations. Enclosure type 4X, factory sealed
For input parameters see control drawing 03031-1024.

Product Data Sheet

00813-0100-4001, Rev GA
Catalog 2006 - 2007

Rosemount 3051

European Certifications


- I1** ATEX Intrinsic Safety and Dust
Certification No.: BAS 97ATEX1089X  II 1 GD
EEx ia IIC T5 ($-60 \leq T_a \leq +40$ °C)
EEx ia IIC T4 ($-60 \leq T_a \leq +70$ °C)
Dust Rating: T80 °C ($-20 \leq T_a \leq 40$ °C) IP66
CE 1180

TABLE 5. Input Parameters

$$U_i = 30V$$


$$I_i = 200 \text{ mA}$$

$$P_i = 0.9W$$

$$C_i = 0.012 \mu F$$


Special Conditions for Safe Use (X):

When the optional transient protection terminal block is installed, the apparatus is not capable of withstanding the 500V insulation test required by Clause 6.4.12 of EN50020:1994. This must be taken into account when installing the apparatus.

- N1** ATEX Type n and Dust
Certification No.: BAS 00ATEX3105X  II 3 GD
EEx nL IIC T5 ($-60 \leq T_a \leq +70$ °C)
 $U_i = 55 \text{ Vdc max}$
Dust rating: T80 °C ($-20 \leq T_a \leq 40$ °C) IP66
CE

Special Conditions for Safe Use (X):

When the optional transient protection terminal block is installed, the apparatus is not capable of withstanding a 500V r.m.s. test to case. This must be taken into account on any installation in which it is used, for example by assuring that the supply to the apparatus is galvanically isolated.

- E8** ATEX Flame-Proof and Dust
Certification No.: KEMA 00ATEX2013X  II 1/2 GD
EEx d IIC T6 ($-50 \leq T_a \leq 65$ °C)
EEx d IIC T5 ($-50 \leq T_a \leq 80$ °C)
Dust rating T90 °C, IP66
CE 1180
 $V_{max} = 55 \text{ V dc}$

Special Conditions for Safe Use (X):

This device contains a thin wall diaphragm. Installation, maintenance, and use shall take into account the environmental conditions to which the diaphragm will be subjected. The manufacturer's instructions for installation and maintenance shall be followed in detail to assure safety during its expected lifetime.

Japanese Certifications

- E4** JIS Flame-Proof
Ex d IIC T6

Certificate	Description
C15850	3051C/D/1 4–20 mA HART — no meter
C15851	3051C/D/1 4–20 mA HART — with meter
C15854	3051T/G/1 4–20 mA HART, SST, Silicon — no meter
C15855	3051T/G/1 4–20 mA HART, Hastelloy C276, Silicon — no meter
C15856	3051T/G/1 4–20 mA HART, SST, Silicon — with meter
C15857	3051T/G/1 4–20 mA HART, Hastelloy C276, Silicon — with meter

- I4** JIS Intrinsic Safety
Ex ia IIC T4

Certificate	Description
C16406	3051CD/CG

Australian Certifications

- I7** SAA Intrinsic Safety
Certification No.: AUS Ex 1249X
Ex ia IIC T4 ($T_{amb} = 70$ °C)
Ex ia IIC T5 ($T_{amb} = 40$ °C)
IP66

When connected per Rosemount drawing 03031-1026

TABLE 6. Input Parameters

$$U_i = 30V$$

$$I_i = 200 \text{ mA}$$

$$I_i = 160 \text{ mA (output code A with T1)}$$

$$P_i = 0.9W$$

$$C_i = 0.01 \mu F$$

$$C_i = 0.042 \mu F \text{ (output code M)}$$

$$L_i = 10 \mu H$$

$$L_i = 1.05 \text{ mH (output code A with T1)}$$

$$L_i = 0.75 \text{ mH (output code M with T1)}$$

Special Conditions for Safe Use (X):

The apparatus may only be used with a passive current limited power source Intrinsic Safety application. The power source must be such that $P_o \leq (U_o * I_o) / 4$. Modules using transient protection in the terminal assembly (T1 transient protection models) the apparatus enclosure is to be electrically bonded to the protective earth. The conductor used for the connection shall be equivalent to a copper conductor of 4 mm² minimum cross-sectional area.

Rosemount 3051

E7 SAA Explosion-Proof (Flame-Proof)
Certification No.: AUS Ex 03.1347X
Ex d IIC T6 ($T_{amb} = 40\text{ }^{\circ}\text{C}$)
Ex d IIC T5 ($T_{amb} = 80\text{ }^{\circ}\text{C}$)
DIP A21 T6 ($T_{amb} = 40\text{ }^{\circ}\text{C}$)
DIP A21 T5 ($T_{amb} = 80\text{ }^{\circ}\text{C}$)
IP66

Special Conditions for Safe Use (X):

It is a condition of safe use for transmitter enclosures having cable entry thread other than metric conduit thread that the equipment be utilized with an appropriate certified thread adaptor.

N7 SAA Type n (Non-sparking)
Certification No.: AUS Ex 1249X
Ex n IIC T4 ($T_{amb} = 70\text{ }^{\circ}\text{C}$)
Ex n IIC T5 ($T_{amb} = 40\text{ }^{\circ}\text{C}$)
IP66

Special Conditions for Safe Use (X):

Where the equipment is installed such that there is an unused conduit entry, it must be sealed with a suitable blanking plug to maintain the IP40 degree of protection. Any blanking plug used with the equipment shall be of a type which requires the use of a tool to effect its removal. Voltage source shall not exceed 60V ac or 75V dc.

Combinations of Certifications

Stainless steel certification tag is provided when optional approval is specified. Once a device labeled with multiple approval types is installed, it should not be reinstalled using any other approval types. Permanently mark the approval label to distinguish it from unused approval types.

- K5** E5 and I5 combination
- KB** K5 and C6 combination
- KD** K5, C6, I1, and E8 combination
- K6** C6, I1, and E8 combination
- K8** E8 and I1 combination
- K7** E7, I7, and N7 combination