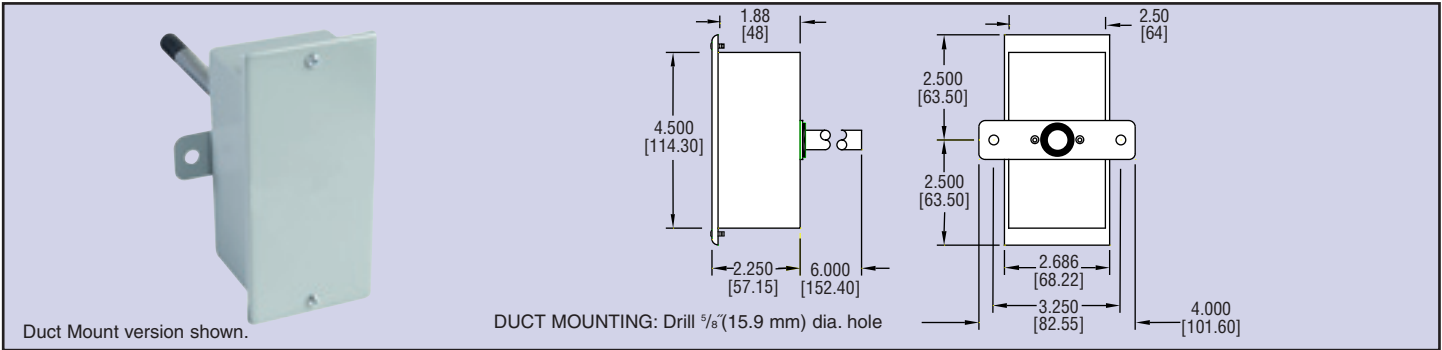




Series
HU

Temperature/Humidity Transmitter

0 to 100% RH, ±2% Accuracy, NEMA 4 (IP56) Enclosure



The ultra-fast Series HU Transmitter provides a stable, repeatable, and accurate means of measuring humidity or both temperature and humidity in the harshest of environments. The polymer capacitance sensor is not affected by condensation, fog, high humidity or contaminants. Sophisticated integrated circuits provide a fully conditioned and temperature compensated 4-20 mA output signal. For humidity or temperature/humidity control, a rugged NEMA 4 (IP56) fully gasketed duct mount enclosure is available or for monitoring space humidity, choose the ABS plastic wall mount enclosure. Units also feature non-interacting zero and span adjustments, short circuit protection and reverse polarity protected output.

SPECIFICATIONS

Relative Humidity Range: 0 to 100% RH.
Temperature Range: -30 to 130°F (-35 to 55°C).
Accuracy: ±2% RH (includes non-linearity and non-repeatability); ±0.12% @ 0°C.
Hysteresis: ±1%.
Temperature Limits: -30 to 130°F (-35 to 55°C).
Operating Relative Humidity: 10 to 90% RH, non-condensing.
Compensated Temperature Range: -30 to 130°F (-35 to 55°C).
Power Requirements: 12-40 VDC.
Output Signal: Humidity, 4-20 mA, 2-wire; Temp (Model HU1142): pt 1000Ω RTD.

Zero & Span Adjustment: ±15%, non-interactive.
Response Time: Temp: 60 msec; RH: 30 sec.
Loop Resistance: 3000Ω max. @ 40 VDC.
Electrical Connections: Unpluggable screw terminal block.
Conduit Connection: 1/2" (22.3 mm) knockout.
Enclosure Rating: Duct Mount: Cold-Rolled Steel, NEMA 4 (IP56) or Wall Mount: ABS Plastic.
Temperature Sensor: Pt 1000Ω RTD.
Drift: ±2 RH over 2 years.
Weight: Duct Mount: 1.0 lb (45 kg); Wall Mount: 0.5 lb (.25 kg).
Agency Approvals: CE.

STOCKED MODELS

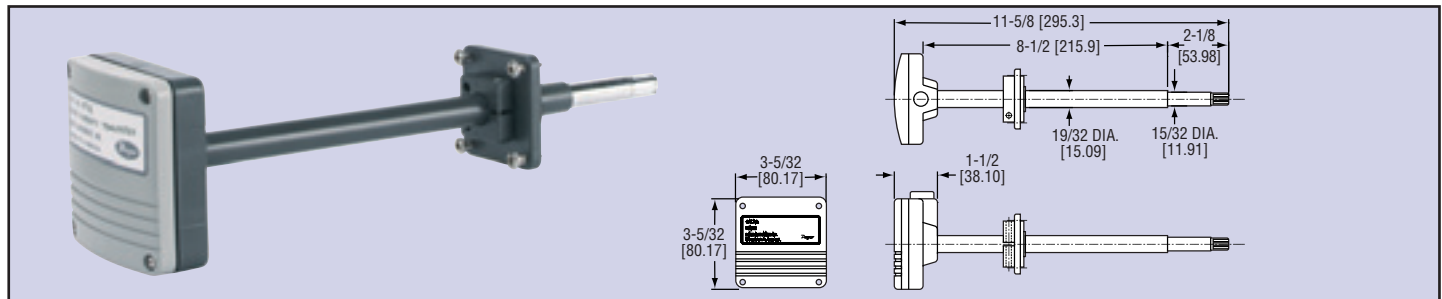
Model Number	Description
HU0142	Humidity Transmitter, duct mount
HU0242	Humidity Transmitter, wall mount
HU1142	Humidity/Temp. Transmitter, duct mount



Series
HT

RH/Temperature Transmitter

Calibration-Free, 2-Wire Design, Duct or Wall Mount



Monitor and control relative humidity and temperature in building energy management systems with the Series HT Humidity/Temperature Transmitter. Designed for demanding HVAC/EMCS applications, the Series HT provides ±3% RH accuracy and ±1% stability per year. Routine calibration is not required with the fully interchangeable sensor. Two wire connections allow easy installation directly into air ducts or within a controlled area.

SPECIFICATIONS

Relative Humidity Range: 10 to 90% RH.
Temperature Range: Duct mount: -40 to 140°F (-40 to 60°C), wall mount: 23 to 131°F (-5 to 55°C).
Accuracy: ±3% RH @ 25°C; ±0.3°C @ 25°C.
Temperature Limits: Duct mount: 14 to 140°F (-10 to 60°C), wall mount: 23 to 131°F (-5 to 55°C).
Storage Temperature: -40 to 140°F (-40 to 60°C).
Operating Humidity Range: Duct mount: 0 to 100% RH, wall mount: 0 to 90% RH.
Power Requirements: 10 to 28 VDC.
Output Signal: 4 to 20 mA.

Response Time: 15 seconds.
Current Consumption: 4 mA minimum.
Conduit Connection: 1/2" NPT.
Mounting Connection: 3/4" NPT.
Drift: ±2% RH over 2 years.
Temperature Sensor: Pt 1000Ω RTD.
RH Temperature Dependence: <±1.5% RH from 14 to 140°F (-10 to 60°C).
Temperature Dependence: 0.01°C/°C.
Housing Material: ABS plastic.
Enclosure Rating: Duct mount only/IP65.
Weight: 0.6 lb (0.3 kg).
Agency Approvals: CE.

STOCKED MODELS

Model Number	Description
HT00*	Humidity Transmitter, wall mount
HT01	Humidity Transmitter, duct mount
HT10*	Humidity/Temp Transmitter, wall mount
HT11	Humidity/Temp Transmitter, duct mount

*Wall mount not shown

Accessory

No. HT5, Replacement sensor.

Humidity